

RPPMON-7044AHD  
RPPMON-1044AHD

# 7" / 10" Dash Mount 4 Input AHD Monitor User Manual



**ECHOMASTER**  
**PRO**

# Installation Guide



**RPPMON-7044AHD / 1044AHD**  
7" / 10" Dash Mount 4 Input AHD Monitor

## Introduction

**Thank you for purchasing your EchoMaster automotive monitor.**

Your monitor displays clear, Analog High Definition (AHD) camera images of the area surrounding your vehicle, meaning your maneuvering and vehicle awareness will be greatly improved.

Please ensure you read and understand all aspects of this manual before fitting or using your EchoMaster AHD monitor.

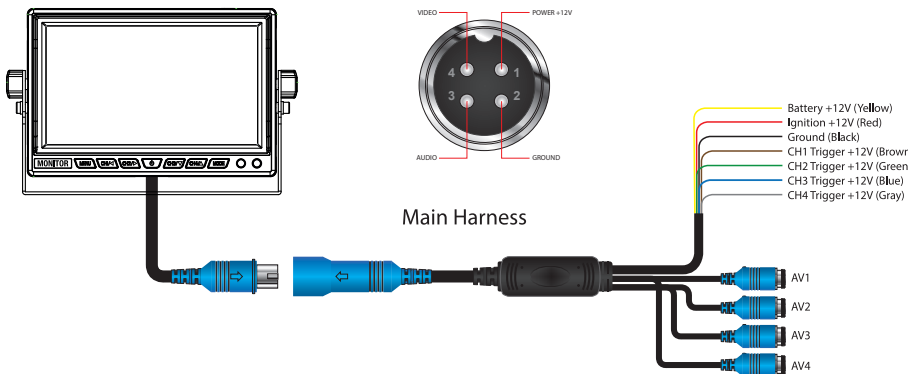
## Box Contents

- ▶ User Guide
- ▶ AHD Monitor
- ▶ Main Harness
- ▶ Fan Dash Mount

## Key Features

- ▶ 7" or 10" High Definition Display
- ▶ Quad AHD video inputs
- ▶ 4 trigger wires
- ▶ Multiple split screen options
- ▶ GX12 connectors
- ▶ Supports CVBS & 720p AHD video formats
- ▶ 1 Audio Input

## Wiring Diagram & Pin Out

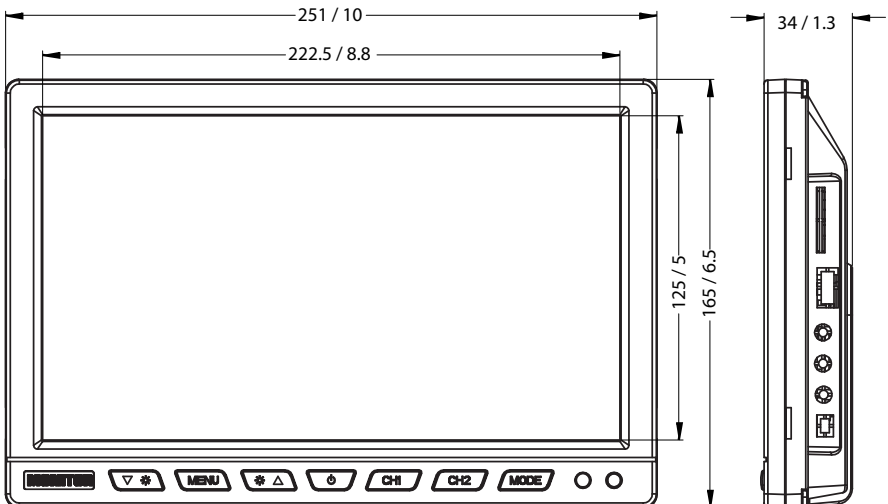
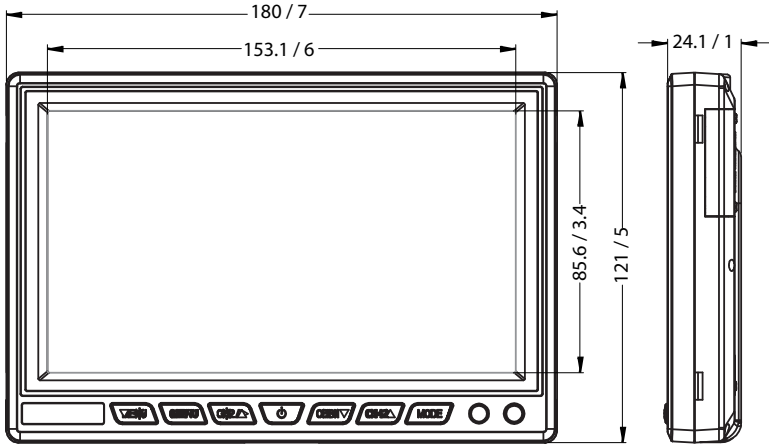


## RPPMON-7044AHD / 1044AHD

7" / 10" Dash Mount 4 Input AHD Monitor



## 7" / 10" Dimensions (mm/in)





## Operating Instructions

### Power

To turn the monitor ON and OFF use the POWER button. The monitor has a last state memory function. If the monitor was in standby mode when the Ignition supply was turned off, the monitor will turn on next time in standby mode, if the monitor was ON when the Ignition supply was turned off, it will power to ON when the Ignition supply is next applied.

### Channel Selection

Press any of the CH buttons to view that image in full screen. Press the MODE button to cycle through all multi-image view options. The monitor also has 4 trigger input wires, if any of these wires receive a trigger input, the channel corresponding will be selected. (Refer to wiring diagram for wire color and channel definition).

### Audio

The audio from CH1 input will always be heard irrespective of which channel or channels are being displayed on screen. The volume adjustment for this is in the menu settings.

Press the MENU button to access the adjustable features of the monitor. Use UP/DOWN arrows to scroll through Image, Sound, Delay, Function and DVR options. Press RIGHT arrow to access sub-menu options. Press LEFT/RIGHT to adjust and then MENU or Right Arrow to set options.

Options will highlight orange when selected

## RPPMON-7044AHD / 1044AHD

7" / 10" Dash Mount 4 Input AHD Monitor



## Menu Options

### Image

#### Picture Mode

Bright - Standard - Soft - User [Brightness/Contrast/Hue/Saturation]

### Sound

Volume [0-100 / Default: 50]

### Delay

Adjust the delay time for the monitor to switch back to the regular image after a trigger has been detected and removed.

**AHD1 Delay** [0-15 seconds / Default: 0]

**AHD2 Delay** [0-15 seconds / Default: 0]

**AHD3 Delay** [0-15 seconds / Default: 0]

**AHD4 Delay** [0-15 seconds / Default: 0]

### Function

**Language** [8 languages / Default: English]

#### OSD Setting

OSD Timeout [5-60 seconds / Default: 10]

OSD Transparency [0-4 seconds / Default: 0]

**Blue Screen** [Off/On / Default: OFF]

**Up-Down** Flip screen vertically [Off/On / Default: OFF]

**Left-Right** Flip screen horizontally [Off/On / Default: ON]

**Reset** [Press RIGHT to Reset]



## Menu Options (continued)

### DVR Setup

*Set Mirror/Non-Mirror option for CH1-CH4*

**AHD1 Mirror** [Off/On / Default: OFF]

**AHD2 Mirror** [Off/On / Default: OFF]

**AHD3 Mirror** [Off/On / Default: OFF]

**AHD4 Mirror** [Off/On / Default: OFF]

*Sets Reversing option for CH1-CH4*

**AHD1 Reversing** [Off/On / Default: OFF]

**AHD2 Reversing** [Off/On / Default: OFF]

**AHD3 Reversing** [Off/On / Default: OFF]

**AHD4 Reversing** [Off/On / Default: OFF]

**Reversing Priority** [Off/On / Default: OFF]

**AHD OSD Display** [AHD1-4, Cam1-4, Position, Off / Default: CAM1-4]

**AHD Signal** [4x720P, 4x720N, 4xCvbs P, 4xCvbs N, 2x720-2xCvbs P,  
2x720-2xCvbs N, 2xCvbs-2x720 P, 2xCvbs-2x720 N /  
Default: 4x720N]

## RPPMON-7044AHD / 1044AHD

7" / 10" Dash Mount 4 Input AHD Monitor



## Specifications

<b>RPPMON-7044AHD / 1044AHD</b>	
<b>Screen Size</b>	<b>7" / 10"</b>
<b>Aspect Ratio</b>	<b>16:9</b>
<b>Power Supply</b>	<b>12V-24V</b>
<b>Resolution</b>	<b>1024xRGBx600</b>
<b>Luminance</b>	<b>300 cd/m2</b>
<b>Contrast</b>	<b>500:1</b>
<b>TV Format</b>	<b>PAL/NTSC</b>
<b>OSD Languages</b>	<b>8</b>
<b>Video Inputs</b>	<b>4</b>
<b>Audio Inputs</b>	<b>1</b>
<b>Triggers</b>	<b>4</b>
<b>Current Draw</b>	<b>7" - 750 mA / 10" - 840mA</b>
<b>Operating Temperature</b>	<b>-20~+60 °C</b>
<b>Video Support</b>	<b>720P AHD / CVBS</b>
<b>Parking Guidelines</b>	<b>NO</b>
<b>Dimemnsions (mm/in)</b>	<b>7" - 180 x 121 x 24 / 7 x 5 x 1 10" - 251 x 165 x 44 / 10 x 6.5 x 1.3</b>
<b>Connection Type</b>	<b>4 PIN GX12</b>



email - [support@aampglobal.com](mailto:support@aampglobal.com)  
tel - 866-931-8021



EchoMaster is a Power Brand of AAMP Global  
**EchoMaster.com**

REV 121919